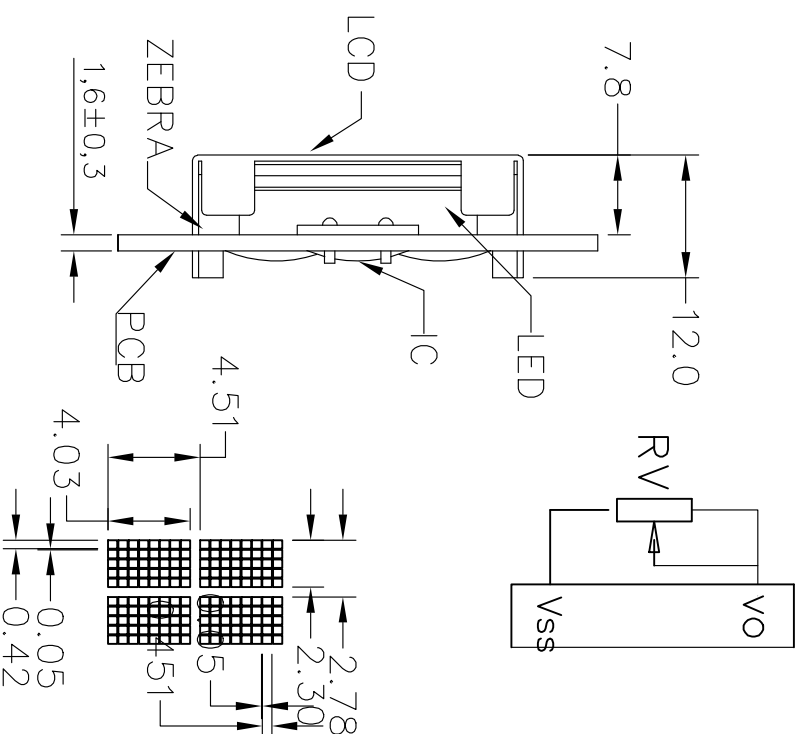
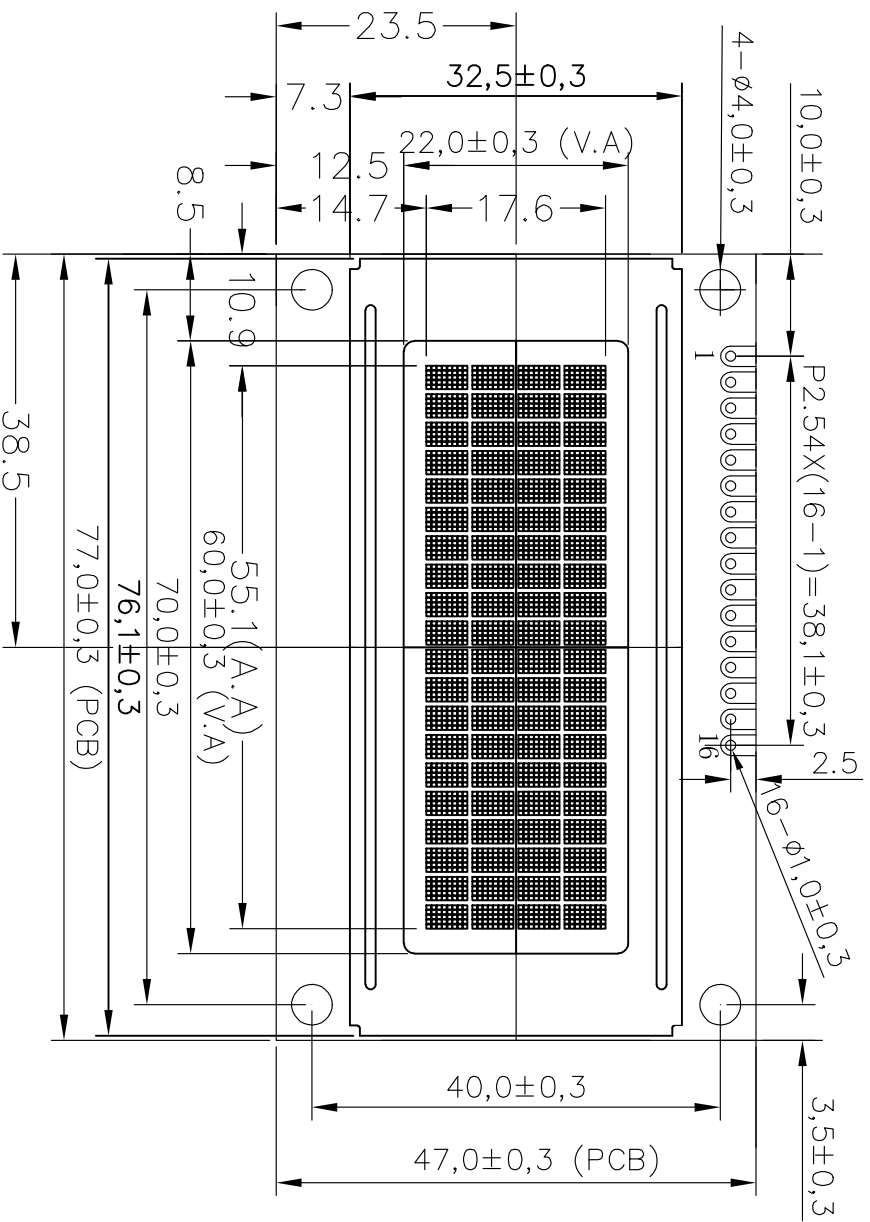


Customer approval :



SPECIFICATION:

- 1). Driving: Duty:1/16, Bias:1/5, Vdd:5.0V, Vcd:4.5V
- 2). VIEWING DIRECTION: 6 O'CLOCK
- 3). Display mode: STN/Y-G/Positive/**Transflective**
- 4). Operating temp.: -20°C~+70°C
- 5). Storage temp.: -30°C~+80°C
- 6). Control IC: SPLC780D1 (Or Compatible)
- 7). BACKLIGHT: Edge,Y-G,5.0V 30md
- 8). DIMENSIONS WITH MARK "*" ARE IMPORTANT WITH MARK "(") ARE REFERENCED
- 9). All the raw materials are RoHS compliant

1	2	3	4	5	6	7	8	9	10	11	12	13	14	15	16
VSS	VDD	V ₀	RS	R/W	E	DB0	DB1	DB2	DB3	DB4	DB5	DB6	DB7	BLA	BLK

REVISION RECORD		REV	A0		
First issue					



深圳市三元晶科技有限公司
Shenzhen TCC LCD Hi-Tech Co., Ltd

DRAWING NO.	SYB2004DV10-5C10Y1.3-B5WG	GENERAL TOL:	± 0.2
APPROVED BY	CHECKED BY	DRAWING BY	UNIT: mm
YJQ			PAGE
2010/9			1/1