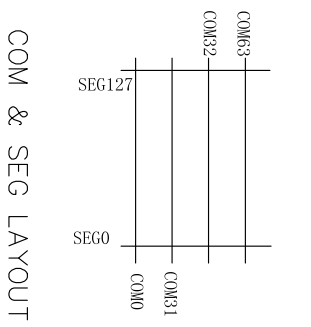
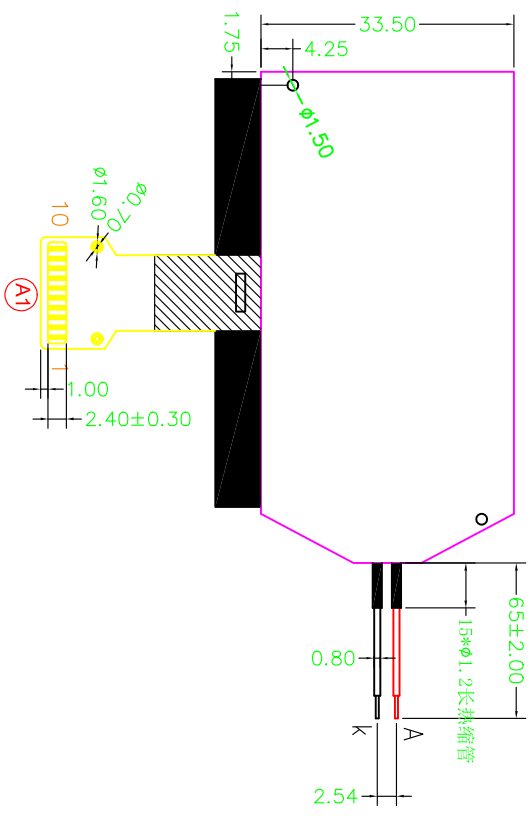
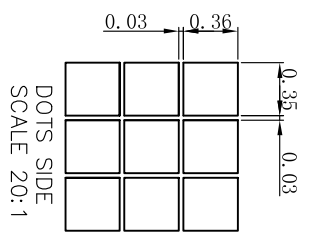
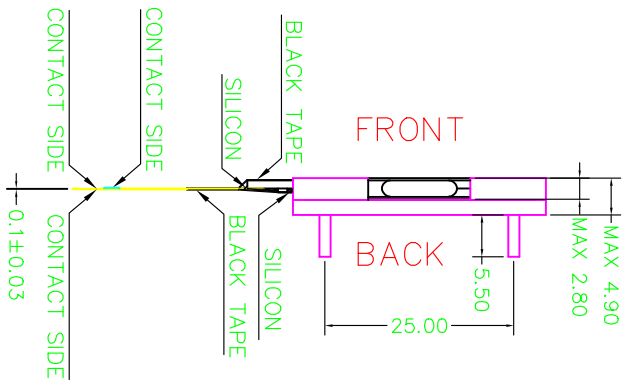
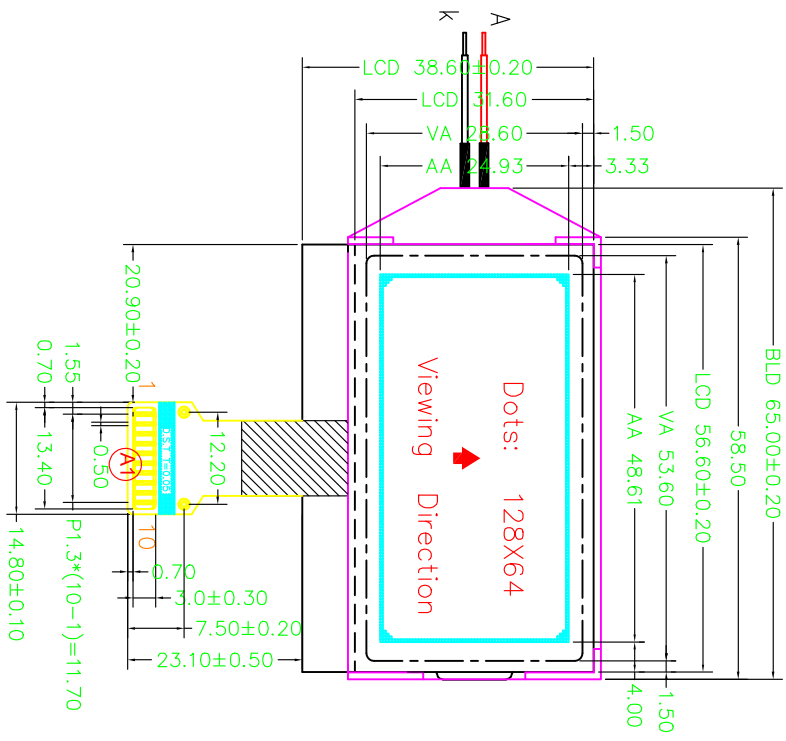


Customer approval :



PIN	SYMBOL
1	CS1B
2	/RES
3	A0
4	D6(SCLK)
5	D7(SDA)
6	VDD
7	VSS
8	V0
9	XV0
10	VG

$\overline{\text{C1UF/25V}}$
 $\overline{\text{C1UF/25V}}$

- Specifications:
1. Display Mode: STN Yellow-Green, Transmissive/Positive.
 2. Viewing Angle: 6 0'clock.
 3. Drive Method: 1/64 Duty 1/7 Bias, Vop = 8.2V, Vdd = 2.8V.
 4. Top: -10°C~+60°C, Tst: -20°C~+70°C.
 5. Connector: COG+FPIC.
 7. Drive IC: ST7567(or other compatible IC)
 8. Backlight: 1 PCS Green LED Backlight, If=20mA & Vf=3.1±0.2V
Wavelength: 515-525nm, Luminance: Min 100 cd/m², Uniformity: 70%
 9. RoHS Compliant: Yes.
 10. With " * " Mark Dimensions Are Important Dimensions.

REV	REVISION RECORD	DATE	TCc 深圳市三元晶科技有限公司 ShenZhen TCCLCD Hi-Tech Co., Ltd.		
A	FIRST ISSUE	2015/11/03	MODEL NO.	SVG12864034-3C36V13N2-BWC	GENERAL TOL: ±0.3
B			模组型号		来注公差
C			APPROVED BY	检查	PAGE: 1 OF 1
D			审核	Luoxian	UNIT: 单位:mm
			Li	Francis	PROJECTION 三角法
				2015/11/03	