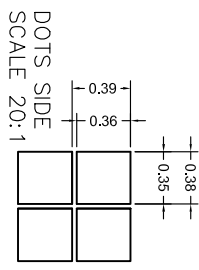
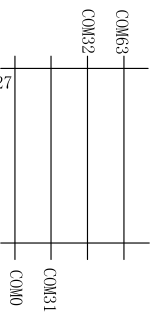
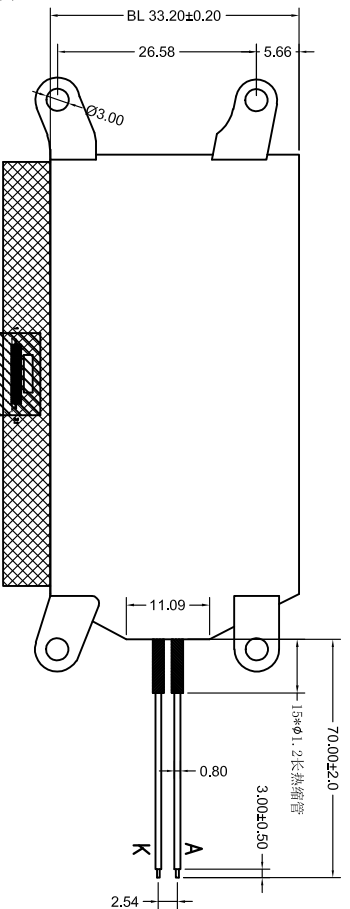
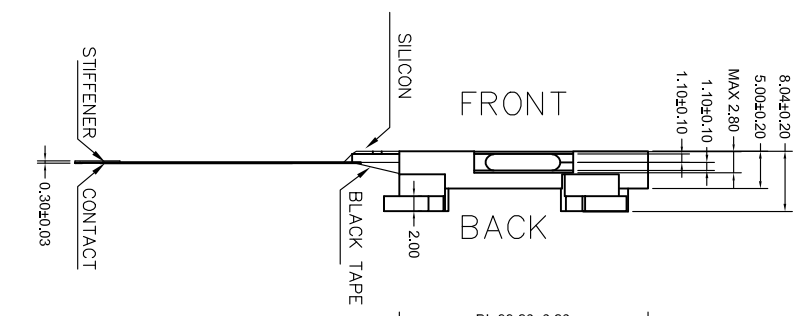
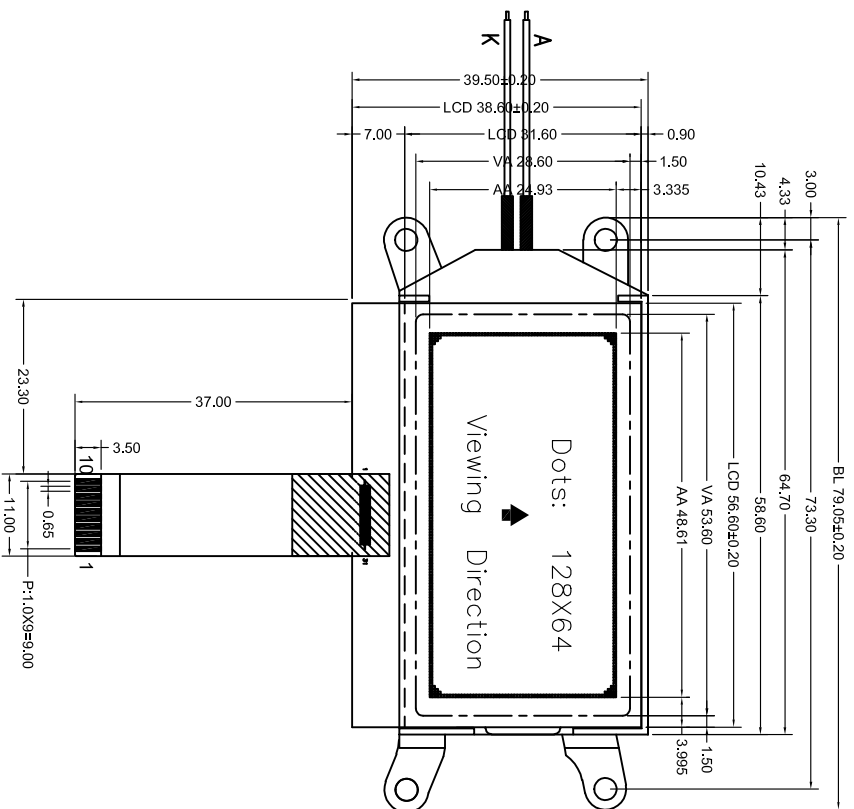


Customer approval :



PIN	SYMBOL
1	CS1B
2	/RES
3	A0
4	D6(SCLK)
5	D7(SDA)
6	VDD
7	VSS
8	V0
9	XV0
10	VG

- Specifications:
1. Display Mode: FSTN Transmissive/Positive.
 2. Viewing Angle: 6.0'clock.
 3. Drive Method: 1/64 Duty 1/7 Bias, Vop= 8.2V, Vdd= 2.8V.
 4. Top: -10°C~+60°C, Tst: -20°C~+70°C.
 5. Connector: COG+FP.C.
 6. Drive IC: ST7567(or other compatible IC)
 7. Backlight: 1 PCS White LED Backlight, If=20mA & Vf=3.0±0.1V
Wavelength: 515-525nm, Luminance: Min 100 cd/m2, Uniformity: 70%
 8. RoHS Compliant: Yes.
 9. With " * " Mark Dimensions Are Important Dimensions.

REV	REVISION RECORD	DATE	MODEL NO.	CHECKED BY	DRAWING BY	GENERAL TOL:
A	FIRST ISSUE	2015/11/03	模组型号	检查	绘图	±0.2
B			审核	Francis	Luoxian	
C			Liu	2015/11/03	2015/11/03	
D						

TTC 深圳市三元晶科技有限公司
Shenzhen TTCLCD Hi-Tech Co., Ltd.

