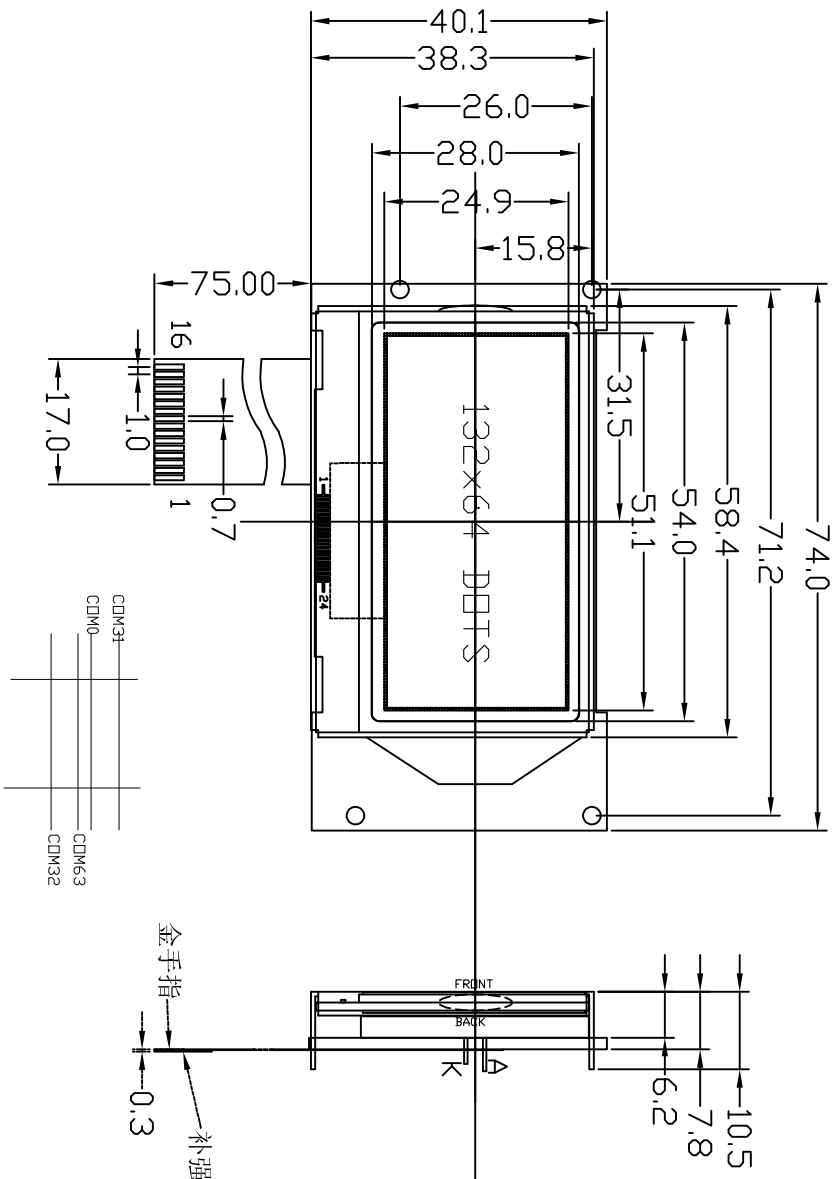
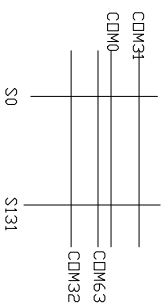


Customer approval :



CONNECTION	CS	9	VDD /RST	1	PIN
CONNECTION	IRV	10	A0	2	
	IRV	11	VDD	3	
	IRO	12	D6	4	
	K1	13	GND	5	
	K2	14	D7	6	
	NC	15	BLA	7	
	NC	16		8	



- Specification:
- 1). Driving: Duty:1/64, Bias:1/9, VCC:3.3V
  - 2). Viewing Direction: 6 O'clock
  - 3). Display mode: STN/Y-G/Positive/Transflective
  - 4). Operating temp.: -20°C~+70°C  
Storage temp.: -30°C~+80°C
  - 5). IC: ST7567 COG
  - 6). Backlight: EDGE Green LEDX1 3.3v 15MA
  - 7). Dimensions with mark "\*" are important, with mark "(") are referenced
  - 8). All the raw materials are RoHS compliant

REV	REVISION RECORD	DATE			<b>深圳市三元晶科技有限公司</b> ShenZhen TCC LCD Hi-Tech Co., Ltd.		GENERAL TOL: ± 0.3	
A0	First issue	7-30/1	MODEL NO.	SVG13264AV11-3C36VLSN2-B4WCF1	APPROVED BY	CHECKED BY	DRAWING BY	PAGE? 1 OF 1
							Jequill	UNIT: mm
								PROJECTION