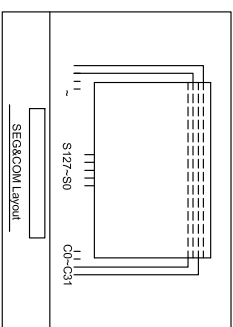
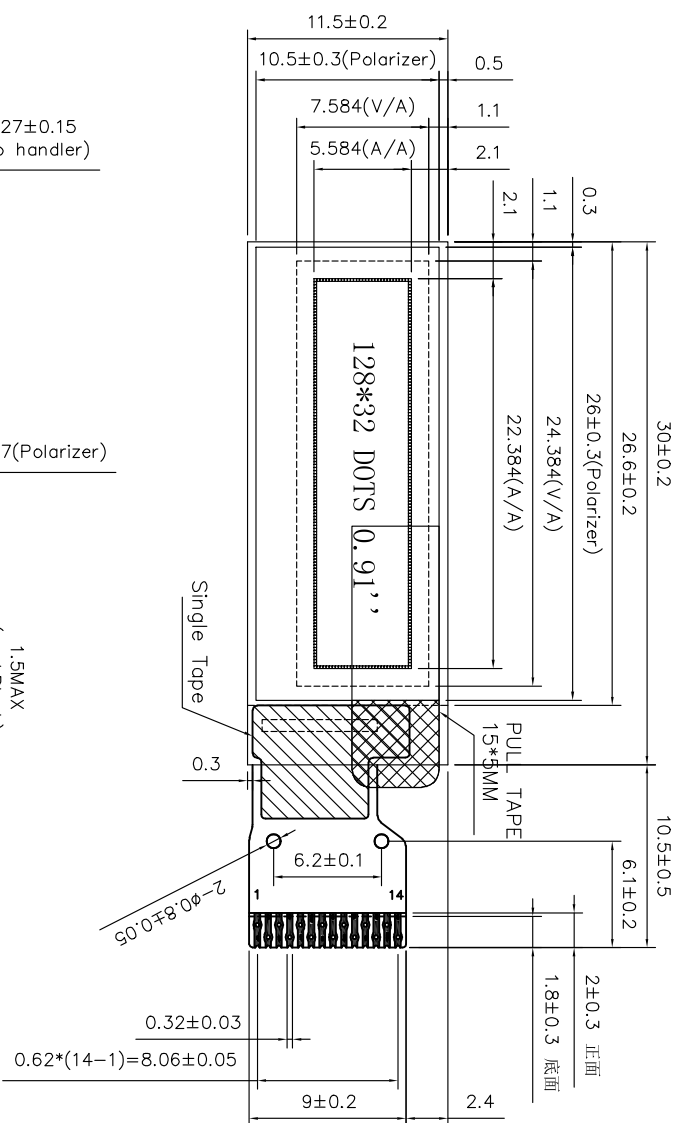
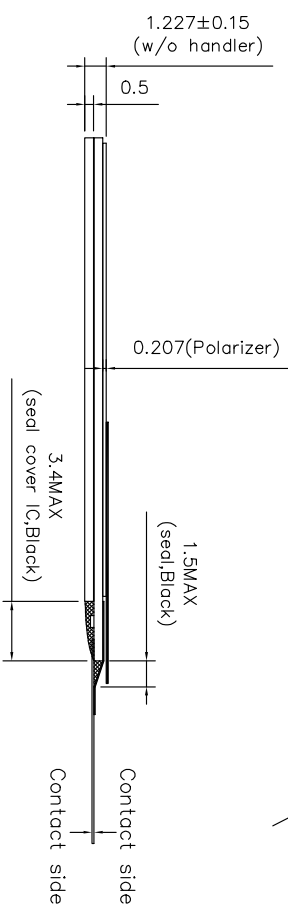


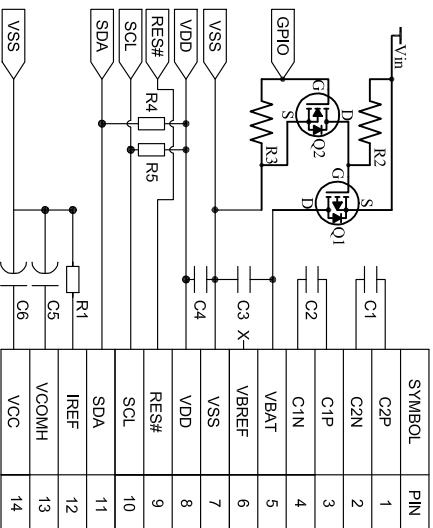
Customer approval :



PIN	SYMBOL
1	C2P
2	C2N
3	C1P
4	C1N
5	VBAT
6	VBREF
7	VSS
8	VDD
9	RES#
10	SCL
11	SDA
12	IREF
13	VCOMH
14	VCC



I2C INTERFACE



C1 C2 C3 C4: 1uF/16V
 C5,C6: 4.7uF/25V(Tantalum type)
 R1: 910KΩ±1%
 R2,R3: 47KΩ
 Q1: □FDN338P
 Q2: □FDN335N
 R4,R5: 4.7KΩ

- Specifications:
1. Display : OLED(White).
 2. Dot Matrix: 128*32
 3. Dot Size: 0.159*0.159mm
 4. Dot Pitch: 0.175*0.175mm
 5. Aperture Rate: 82.5%
 6. Active Area : 22.384*5.584mm
 7. Drive IC: SSD1306BZ



深圳市三元晶科技有限公司
 Shenzhen TCCLCD HI- Tech Co., Ltd.

MODEL NO.
 模组型号

SYO1283201-3W

GENERAL TOL: ±0.3
 未注公差

APPROVED BY
 审核

CHECKED BY
 检查

DRAWING BY
 绘图

PAGE: 1 OF 1
 页面 1 OF 1

UNIT:
 单位:mm

LSS
 2017/10/18

LKJ
 2017/10/18

KYJ
 2017/10/18

PROJECTION
 三角法

