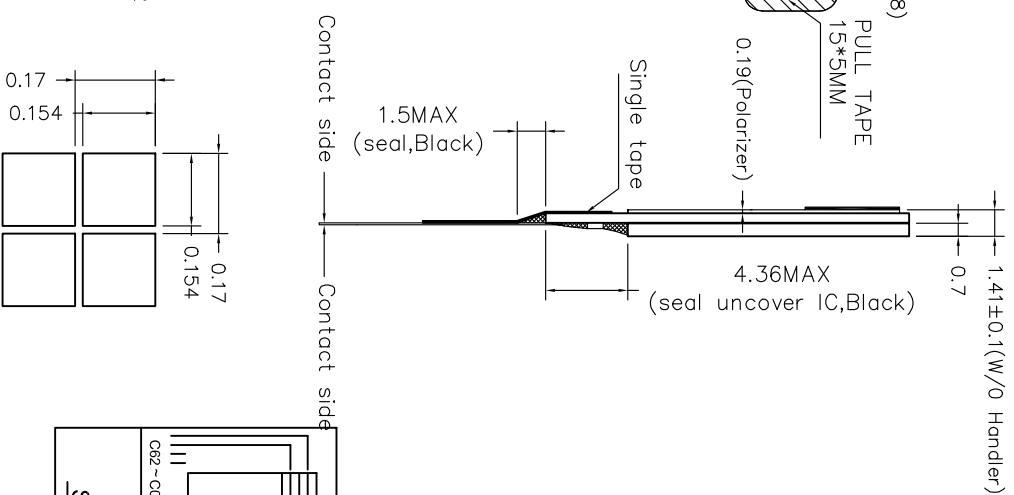
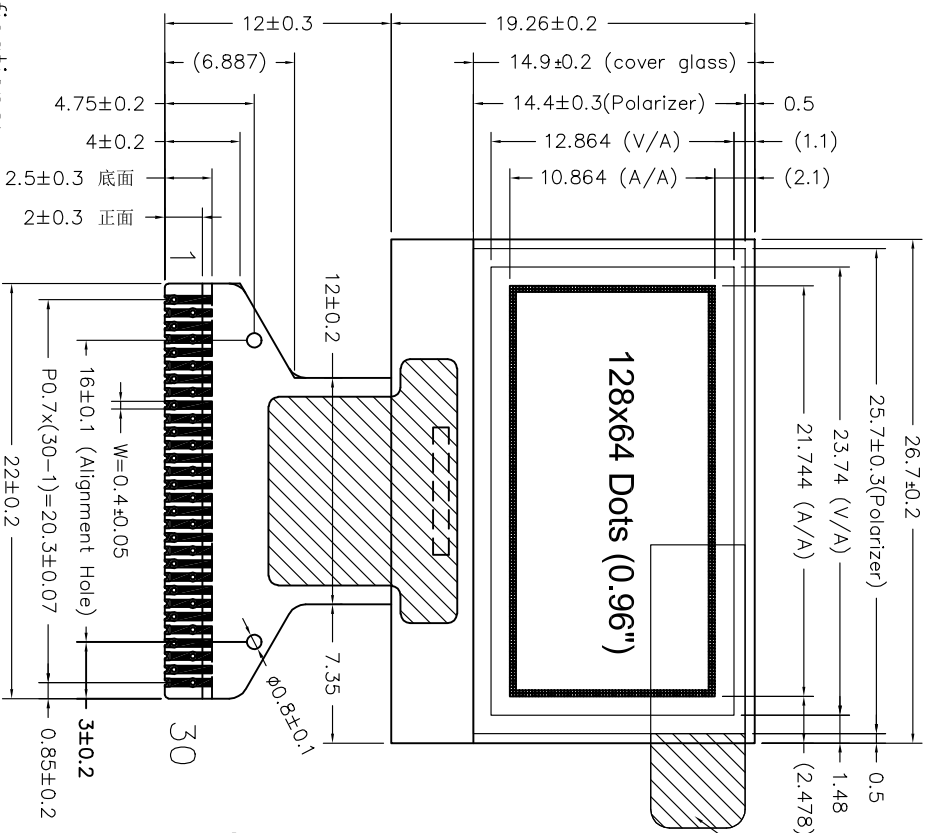
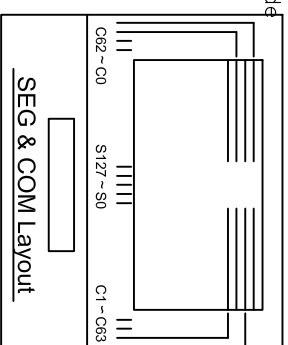
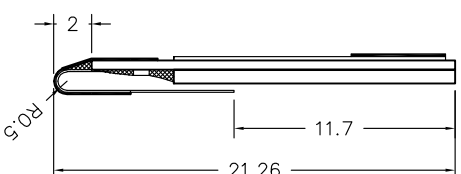


Customer approval :



Reference Only



PIN	SYMBOL
1	NC(GND)
2	C2P
3	C2N
4	C1P
5	C1N
6	VBAT
7	NC
8	VSS
9	VDD
10	BS0
11	BS1
12	BS2
13	CS#
14	RES#
15	D/C#
16	R/W#
17	E#
18	D0
19	D1
20	D2
21	D3
22	D4
23	D5
24	D6
25	D7
26	IREF
27	VCOMH
28	VCC
29	VSSS
30	NC(GND)

Specifications:

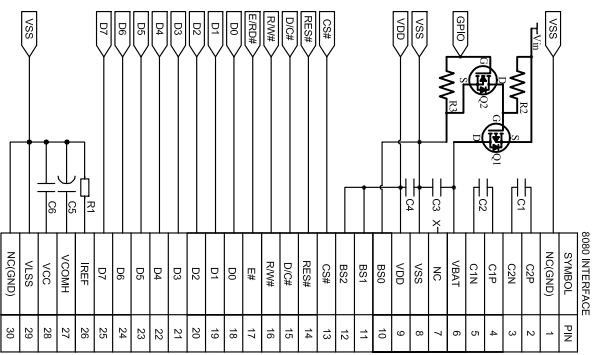
1. Display : OLED(White).
2. Dot Matrix: 128*64
3. Dot Size: 0.154*0.154mm
4. Dot Pitch: 0.17*0.17mm
5. Aperture Rate: 78%
6. Active Area : 21.744*10.864mm
7. Drive IC: SSD1306

REV	REVISION RECORD	DATE	MODEL NO.	SYO12864B03-3C138WN2-WCE	GENERAL TOL: ±0.3
A	FIRST ISSUE	2017/08/08	模组型号	审核	未注公差
B			APPROVED BY	检查	PAGE: 1 OF 2
C			Liu	Francis	UNIT: 单位mm
D			2017/08/08	Luoxian	PROJECTION 三角法

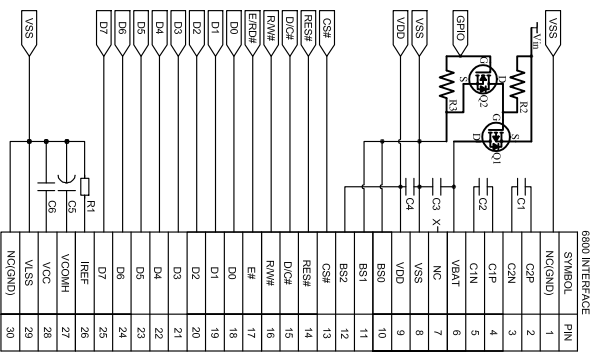


深圳市三元晶科技有限公司
Shenzhen TCC LCD Hi-Tech Co., Ltd.

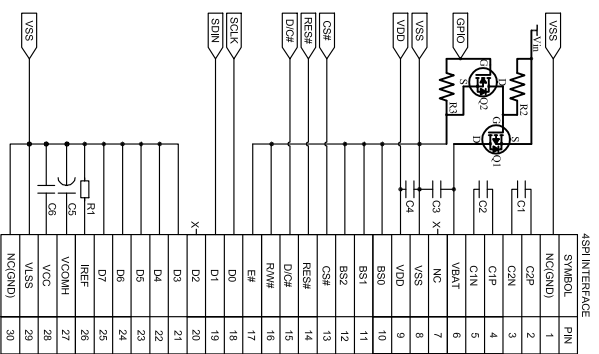
Customer approval :



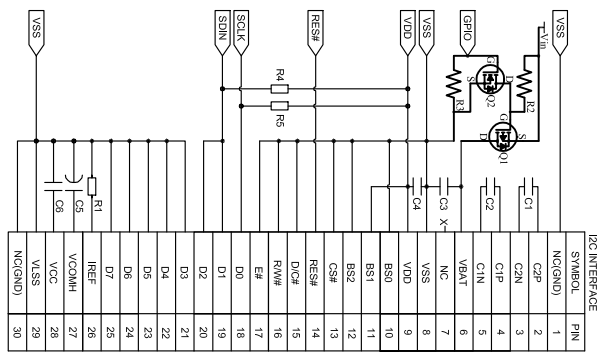
8080 INTERFACE
 SYMBOL PIN
 1
 2
 3
 4
 5
 6
 7
 8
 9
 10
 11
 12
 13
 14
 15
 16
 17
 18
 19
 20
 21
 22
 23
 24
 25
 26
 27
 28
 29
 30



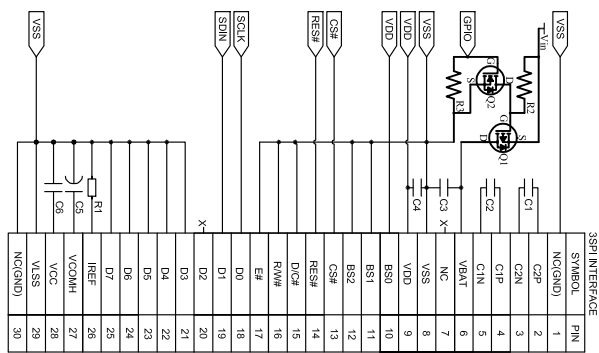
8080 INTERFACE
 SYMBOL PIN
 1
 2
 3
 4
 5
 6
 7
 8
 9
 10
 11
 12
 13
 14
 15
 16
 17
 18
 19
 20
 21
 22
 23
 24
 25
 26
 27
 28
 29
 30



ASP1 INTERFACE
 SYMBOL PIN
 1
 2
 3
 4
 5
 6
 7
 8
 9
 10
 11
 12
 13
 14
 15
 16
 17
 18
 19
 20
 21
 22
 23
 24
 25
 26
 27
 28
 29
 30



I2C INTERFACE
 SYMBOL PIN
 1
 2
 3
 4
 5
 6
 7
 8
 9
 10
 11
 12
 13
 14
 15
 16
 17
 18
 19
 20
 21
 22
 23
 24
 25
 26
 27
 28
 29
 30



3SP1 INTERFACE
 SYMBOL PIN
 1
 2
 3
 4
 5
 6
 7
 8
 9
 10
 11
 12
 13
 14
 15
 16
 17
 18
 19
 20
 21
 22
 23
 24
 25
 26
 27
 28
 29
 30

REV	REVISION RECORD	DATE	MODEL NO.	GENERAL TOL:
A	FIRST ISSUE	2017/08/08	SV012864B03-3C135MN2-WCE	±0.3
B			模组型号	
C			APPROVED BY 审核	PAGE: 2 OF 2
D			Liu	UNIT: 单位/mm
			2017/08/08	PROJECTION 三角法
			Francis	
			2017/08/08	
			Luoxian	

深圳市三元晶科技有限公司
 Shenzhen TCCLCD Hi-Tech Co., Ltd.



C1: C2, C3, C4: 1uF/16V
 C5: 4.7uF/25V(Tantalum type)
 C6: 2.2uF/25V
 R1: 520KΩ1%
 R2: R3: 47KΩ
 R4: R5: 4.7KΩ
 Q1: FDN338P
 Q2: FDN335N